

Kite mini

Design | Annica Doms



Olive RAL 6013

Kite, has retrieved both its name and its appearance from the geometric shape of a kite. The straight angles give a bold and exciting expression, and at the same time harmonise with the room and its shape. The unique form holds angles of 60 °, 90 ° and 120 ° which makes it ideal to place in corners with varying angles. Kite mini has the same shape and is an exact copy of Kite, but in a reduced size. This gives a clear "family feeling" and a uniform expression.

Kite mini is intended for smaller spaces like under desks, hotel rooms or smaller conference rooms. There is also a wall mount for Kite mini, which means that it can be placed on the wall. As single or in pairs to free floor space. Kite mini is available in 11 RAL colours. Lids in colour white, anthracite or olive grey with 6 different screen printed symbols for recycling. Kite mini holds 10 litres.

Sustainability & Material

The lid's MDF meets E1 requirements for formaldehyde. MDF from certified forestry. The frame in powder-coated steel plate is manufactured in Sweden and consists of 20% of recycled material. The steel is 100% recyclable. The powder coating of the frame is a good environmental choice as no solvents are required. Base in 100% recycled ABS plastic, marked for recycling according to ISO 11469. In line with our environmental strategy, Kite mini is delivered unassembled.

- No fittings
- No tools
- Easy to assemble
- Not factory fitted
- Shipping optimized

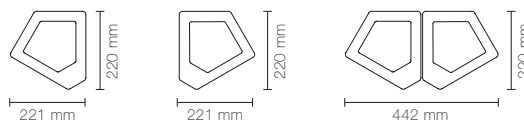


Frame: Powder-coated steel plate.
Lid: Vacuum-foiled MDF with screen print.

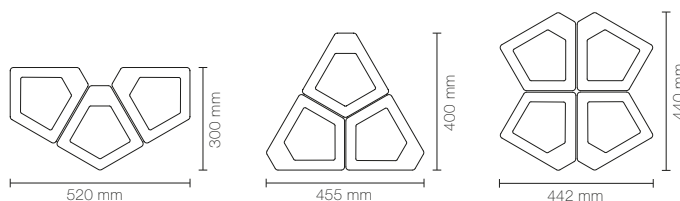
Kite mini Frame 10L

Width 250 mm, Height 355 mm, Depth 245 mm

Colour	Art no.
RAL 9010 White	31207001
RAL 7032 Warm grey	31207020
RAL 7016 Anthracite	31207004
RAL 5023 Brilliant blue	31207021
RAL 1013 Pearl white	31207022
RAL 6013 Olive	31207023
RAL 6020 Forest green	31207024
RAL 8014 Chocolate	31207025
RAL 1017 Saffron	31207026
RAL 3014 Old pink	31207027
RAL 3005 Wine red	31207028



Kite mini with a single and duo set can also be mounted on a wall.



Kite mini Wall, Frame 10L, wall mounted, right or left

Width 250 mm, Height 355 mm, Depth 245 mm

Colour	Kite Mini wall right	Kite Mini wall left
RAL 9010 White	31207101	31207201
RAL 7032 Warm grey	31207120	31207220
RAL 7016 Anthracite	31207104	31207204
RAL 5023 Brilliant blue	31207121	31207221
RAL 1013 Pearl white	31207122	31207222
RAL 6013 Olive	31207123	31207223
RAL 6020 Forest green	31207124	31207224
RAL 8014 Chocolate	31207125	31207225
RAL 1017 Saffron	31207126	31207226
RAL 3014 Old pink	31207127	31207227
RAL 3005 Wine red	31207128	31207228



Wall mount included with Kite mini wall.



Anthracite RAL 7016 White RAL 9010

When ordering two Kite Mini wall you need to order one right and one left module to make it fit.

Wall mounting can maximum be mounted two by two.

Kite mini Colours



Frame: Powder-coated steel plate.

Lid: Vacuum foiled MDF in white, anthracite or olive with screen printed symbol in grey. The lids are available in seven options.



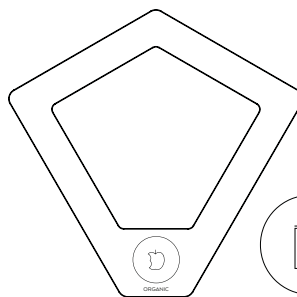
Olive RAL 6013 Forest green RAL 6020



Brilliant blue RAL 5023
Old pink RAL 3014
Olive RAL 6013

Kite mini Lid, white, anthracite or olive grey, vacuum foiled MDF, screen printed symbol in grey

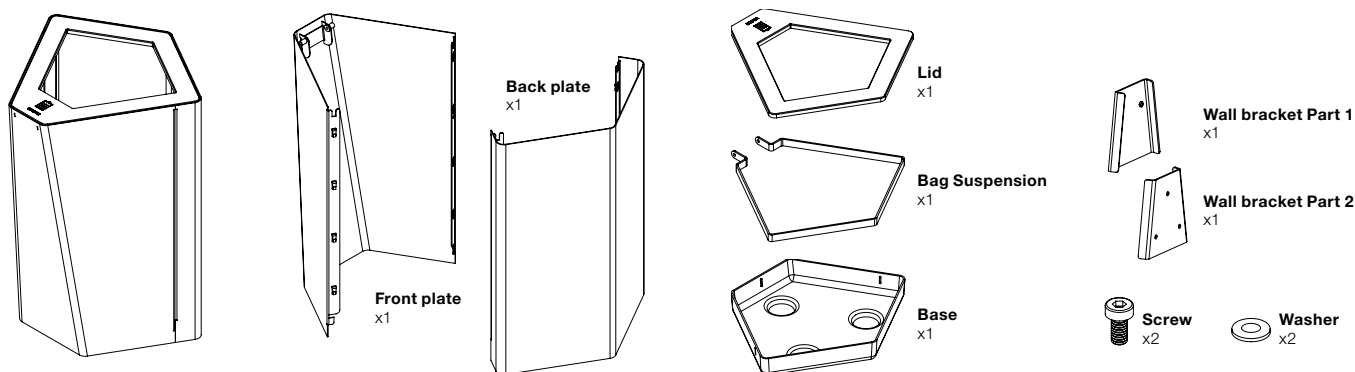
Name	Anthracite	White	Olive grey
Kite mini lid Paper	31200904	31200901	31200923
Kite mini lid Organic	31201004	31201001	31201023
Kite mini lid Waste	31200104	31200101	31200123
Kite mini lid Bottles/Cans	31200404	31200401	31200423
Kite mini lid Metal	31200704	31200701	31200723
Kite mini lid Plastic	31200204	31200201	31200223
Kite mini lid Glass	31201304	31201301	31201323



Please note that there are shade differences between frames in olive and lids in olive grey.

Contact TreCe if you want other symbols or text in other languages.

Kite mini Assembly instruction



Kite Mini Floor: The wall brackets (part 1 and 2) are not included.

Kite Mini Wall: Wall Brackets are included. The frame is prepared with holes for installation, right or left hung.

[DOWNLOAD ASSEMBLY INSTRUCTIONS](#)

QUICK INFO.

Content	Certification TreCe	Certification TreCe
Environmental & social aspects	ISO 9001:2015	ISO 14001:2015
Country of manufacture	Recycled material	Recycled material
Sweden	20% recycled steel (frame)	100% recycled ABS plastic (base)



SVHC/ECHA's candidate list

No chemicals included in ECHA's candidate list of SVHC may be contained in levels of >0.1% by weight in the components, parts or chemicals that are included or used in the manufacturing of the furniture/product. See <http://echa.europa.eu/en/candidate-list-table>

Metal – frame

The frame consist of cold-rolled steel plate and are manufactured in Sweden. In the production of steel blanks, 20% recycled material is used together with iron raw material ore (80%). The steel plate meets the requirements in table 1.

Table 1: Requirements metal

Requirements	Complies
Metal that will have prolonged contact with skin (e.g. armrests) must not consist of alloys containing nickel, chromium III or chromium VI.	X

Powder coating

Kite mini is painted with powder coating which provides both environmental and quality benefits as no solvents need to be added and the amount of waste is very small. In addition, the powder coating gives a durable and stylish finish. Fulfilled requirements are shown in tables 2 and 3. Safety data sheets according to REACH CLP-regulation no1272/2008 are sent on request.

Table 2: Requirements surface treatment

Requirements	Complies
The content of aromatic solvents / hydrocarbons in surface treatment products / preparations may not exceed 1.0% by weight.	X
Surface treatment with preparations containing VOC may have a maximum applied VOC component of 60 g / m ² for office / public / outdoor environment.	X

Tabell 3: Hazard class and hazard statement according to Regulation 1272/2008

Hazard category	Hazard statement according to regulation 1272/2008	Complies
Acute toxicity	H300, H301, H310, H311, H330, H331	X
Toxic to body organs	H370, H371, H372, H373	X
Carcinogenic	H350, H351	X
Mutagenic	H340, H341	X
Toxic for reproduction	H360, H361, H362	X
Allergenic	H334	X
Dangerous to the environment	H400, H410, H411, H412, H413 If the use of surface treatment products is required for technical reasons, products labelled as dangerous to the environment (H400, H410, H411, H412, H413) may be acceptable if the content of environmentally hazardous substance <14 g/per m ² of surface.	X
Hazardous to the ozone layer	H420	X

Wood – lid

The lid is made of MDF. Routines must be in place to ensure that wood based materials are traceable and come from legal and acceptable sources, see table 4.

Table 4: Requirements wood

Requirements	Complies
MDF meets the requirements for CARB Phase 2 and TSCA Title V	X
Has legal ownership and access rights	X
Follows nationally and locally applicable laws and regulations regarding use, environment, labour and welfare, health and safety, and other parties' rights.	X
Pays the relevant taxes and charges related to use.	X
Follows CITES regulations (only applicable to certain tree species, see the CITES website).	X
The wood complies with the requirements for formaldehyde emission requirements according to E1.	X

Plastic – bottom/base

The bottom consists of 100% recycled ABS plastic and meets the requirements for plastic, see table 5. To facilitate sorting of plastics during material recycling, we have permanently marked bottom with the plastic type according to ISO 11469.

Table 5: Requirements plastic

Requirements	Complies
Plastic parts >50 grams are permanently marked according to ISO 11469	X
Free from PVC (polyvinyl chloride)	X
Softeners/phthalates classified as hazard classification H360 have not been actively added or that the measured level does not exceed 0.1% by weight/substance and component.	X
Short-chain chlorinated paraffins (SCCPs) must not be actively added or that the measured level must not exceed 0.01% by weight/substance and component.	X
The following flame retardants have not been actively added or that the measured level does not exceed 0.1% by weight/substance and component.	X
Polybrominated biphenyls (PBBs) CAS-nr: 59536-65-1 Decabromodiphenyl ether (dekaBDE) CAS-nr: 1163-19-5 Pentabromodiphenylether (pentaBDE) CAS-nr: 32534-81-9 Oktabromodiphenylether (oktaBDE) CAS-nr: 32536-52-0 Tris (2,3-dibromopropyl) phosphate (TBPP) CAS-nr: 126-72-7 Tris (1-aziridinyl) phosphine oxide (TEPA) CAS-nr: 5455-55-1 Hexabromocyclododecane (HBCDD) CAS-nr: 25637-99-4 Tris (2 chloroethyl) phosphate (TCEP) CAS-nr: 115-96-8	
No pigments containing lead, cadmium, tin, chromium VI or mercury have not been actively added or that the measured level does not exceed 0.01% by weight per component.	X

Social responsibility

We have ensured that this product is manufactured under good conditions, ie. with regard to social and ethical issues such as working conditions, human rights, labour, environment and corruption. We have sent these requirements to our suppliers and subcontractors, who have each certified that they are followed. A summary is shown in table 6 and applies to the entire manufacture process of a product and it's components. The starting point is the UN guidelines on the "Code of Conduct" and Möbelfakta's requirements for Social Responsibility are formulated on the basis of the UN's Global Compact. As well as conditions for social and ethical considerations regarding tax irregularities and illegal labour. The principles are based on below;

- UN Universal Declaration of Human Rights
- Rio Declaration on Environment and Development
- International Labour Organization (ILO) eight core conventions on human and labour rights
- UN Convention against Corruption
- Work environment requirements based on ILO conventions on health and safety

Table 6: Summary requirements for social responsibility

Requirements		Complies
Legislation	The furniture and its components must be manufactured in accordance with national legislation.	X
Human Rights	Producers, manufacturers and suppliers operations must comply with human rights.	X
Working conditions	Wages, child labour, conditions of employment, working hours, benefits, penalties, freedom of association, forced labour and discrimination.	X
Working environment	The company must constantly strive to improve the working environment and workplace safety for its employees.	X
Environment	Identify environmental impact, work actively with environmental issues and involve staff. Procedures for law compliance must be in place and followed up.	X
Anti-corruption	No form of extortion, corruption, bribery or favoritism to or from employees or organizations is tolerated.	X
Tax irregularities /fraud	In addition to the statutory obligations applicable to the employees concerned, shall also anti-labour and tax fraud are applied, such as illegal workers.	X
Undeclared/illegal labour	No undeclared/illegal labour shall be hired to preform product manufacturing.	X

***Warranty:** The warranty is valid from the delivery date of the product. Invoice/order number must be provided for the warranty to be valid. The warranty does not apply to products that have been stored or assembled incorrectly, used in an inappropriate or improper manner, altered in appearance/function or cleaned with an incorrect cleaning method or cleaning products. The warranty does not cover shipping damage, normal wear and tear, scratches, marks or damage caused by impact or accident. The warranty does not cover products that have been placed outdoors or in a damp environment, or products that have been used for purposes other than those for which they are intended.

For products intended for outdoor use, the above-mentioned humid environment does not apply, but the warranty period is halved for products installed within 200 metres of a coastal environment. The warranty does not apply to outdoor products that develop surface corrosion over time as this is purely aesthetic and can be corrected with touch-up paint.

General care instructions

Metal

Wipe with a slightly damp, soft lint-free cloth and mild detergent. Always wipe dry with a dry cloth. Never use solvents on painted metal nor any abrasive cleaners/ materials.

Wood

Wood is a living material and is affected for example by seasons, heat and humidity. Direct sunlight will give surfaces permanent colour and light differences. To avoid colour shifts, all surfaces should be exposed to equal amounts of light.

Normal/daily cleaning:

- Dust dry and clean with mild soap solution or mild hand washing-up liquid.
- Wipe dry with a dry cloth.
- Never use strong detergents, solvents or products containing abrasives.
- Remove all stains as soon as possible and wipe the surface dry after cleaning.

Note! Use a minimum amount of water.